

Tutorial 5

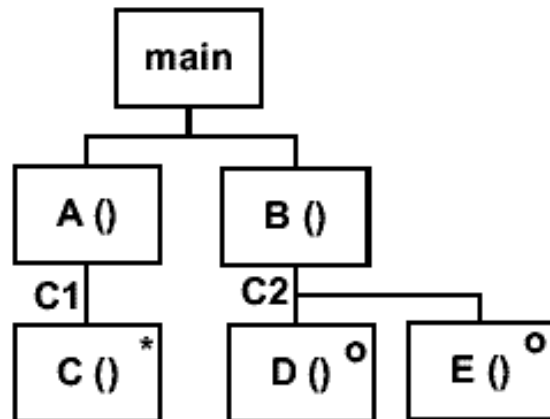
Peter Lo

Question 1

- Consider the following simple pseudo-code fragment. Translate this code fragment into a structure using Jackson's notation.

```
main {
  run subroutine A()
  run subroutine B()
}
A() {
  while condition C1 is true, run subroutine C()
}
B() {
  If condition C2 is true, run subroutine D();
  else run subroutine E()
}
C() {
  ADD numbers
}
D() {
  SUBTRACT numbers
}
E() {
  DIVIDE numbers
}
```

Answer



Question 2

- The following text describes in some detail an object. The object concerned is a book. The book comprises of three main sections: the pre-amble section, the main section, and lastly the post-amble section. The preamble section comprises of both the introduction page, followed by a contents page. The main section comprises of many chapters. In the post-amble section, several appendices will be found, and also one index. Making use of Jackson's notation, draw a simple structure to represent this object.

Answer

